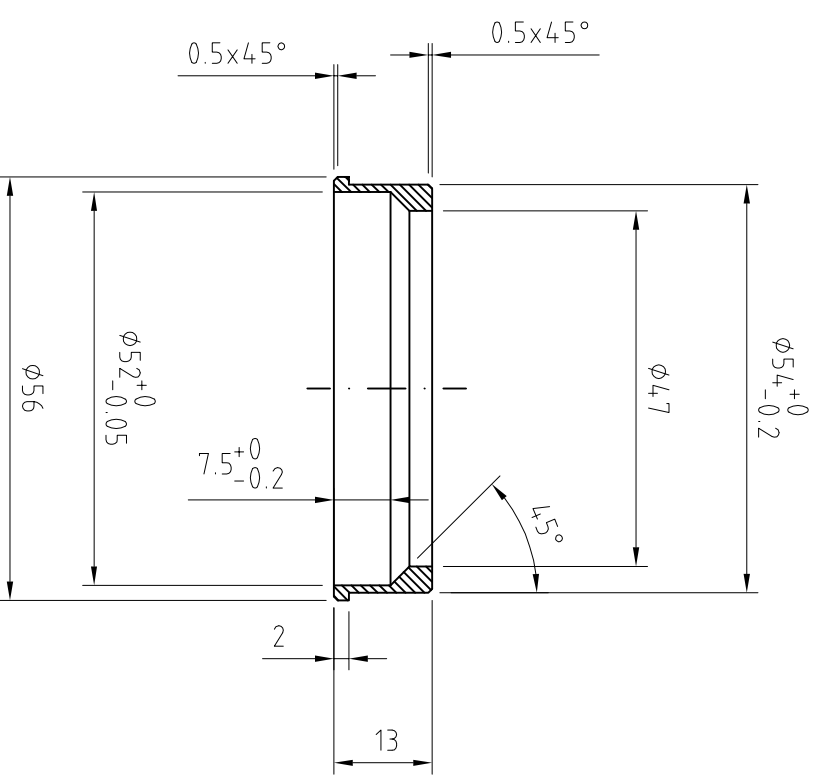


cod. ZCALT46UP



cod. ZCALT56DDOWN



* Filets not dimensioned		* Description		* Format		* Material		* Weight	
* Dlm without tolerances		* CALOTTE BRAZED-ON PER CYRT18250		* A4		* *		* *	
* Replace		* ZCALT46UP - ZCALT56DDOWN		* Sheet		* *		* *	
		* Ø da 462 a 465		* Scale		* Heat treatment		* *	
		* aumentati Ø interni, ridotta altezza totale		* 1		* Finishing		* *	
		* Description		* Date		* Date		* Date	
		* 1		* 08/02/2016		* 14/06/2013		* 14/06/2013	
		* Drawn by		* Date		* Checked by		* Approved by	
		* Giorgio Sormani		* 09/01/2013		* *		* *	
		* DID NO DISCLOSE TO OR DUPLICATE FOR OTHERS EXCEPT AS AUTHORIZED BY GRUPPO		* File name		* Code		* Drawing N°	
		* *		* calotte.x:CYRT18250R5		* ZCALT 46UP/56DDOWN		* *	