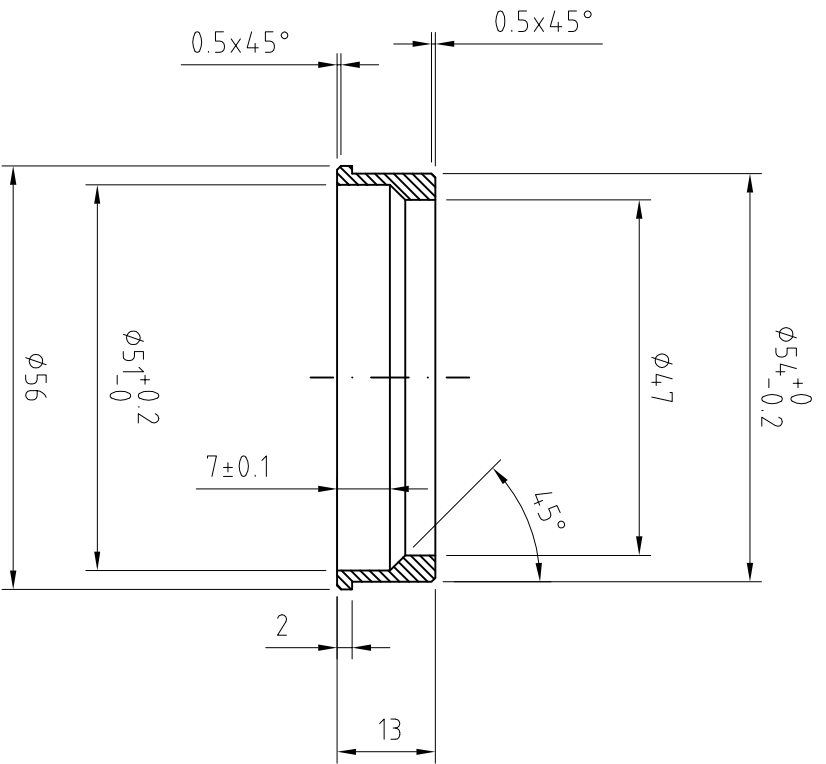


cod. ZCAL T46UPRID



cod. ZCAL T56DOWNRID



* Fillets not dimensioned		* Description		* Format		* Material		* Weight	
* Dim without tolerances		CALDITE BRAZED-ON PER CYRT18250 / I.D. RID.		* A4		* Material		* Sheet	
* Replace		ZCAL T46UPRID - ZCAL T56DOWNRID		* Scale		* Heat treatment		* Finishing	
* Drawn by		Date		* Approved by		* Code		* Drawing N°	
* Giorgio Sornani		15/10/2015		* Approved by		* File name		* Drawing N°	
* DID NOT DISCLOSE TO OR DUPLICATE FOR OTHERS EXCEPT AS AUTHORIZED BY GRUPPO									